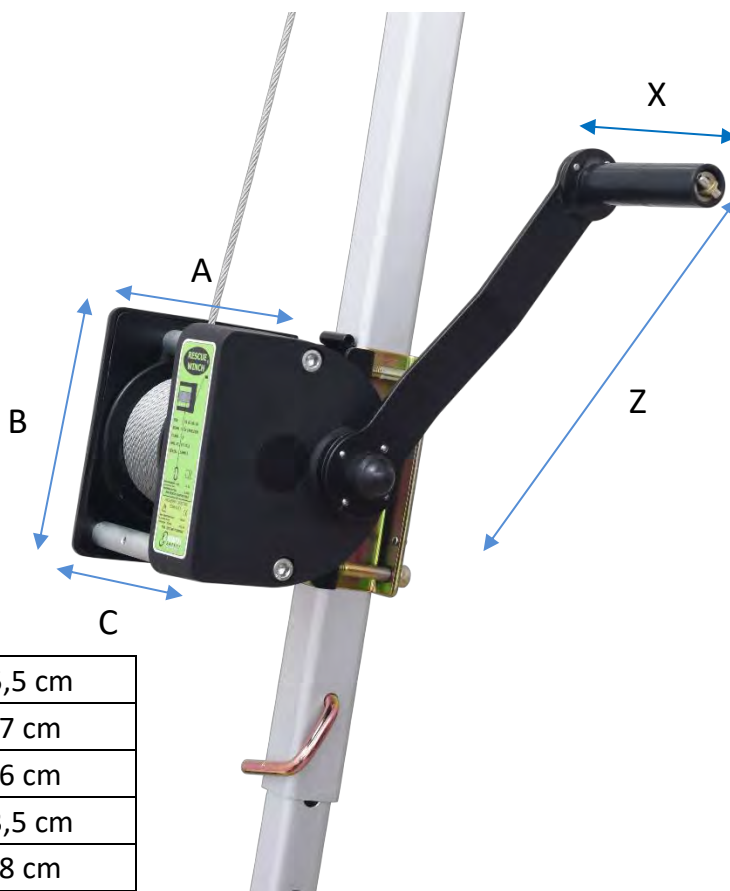




# FA 60 003 20, FA 60 003 20S



+ FA 60 105 00

A	15,5 cm
B	17 cm
C	16 cm
X	13,5 cm
Y	28 cm

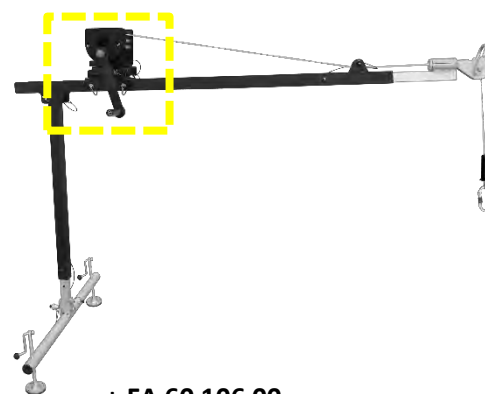
FA 60 003 20  
FA 60 003 20S



+ FA 60 001 00 / FA 60 002 00



+ FA 60 022 00



+ FA 60 106 00



HS CODE
84251900
CARTON SIZE / PCS.
40 x 30 x 20 cm / 1
Certificate of Test n°SPC0256516/1716 Issue 2 Ext. 1
Satra Technology Centre, N°0321 Wyndham Way, Telford Way, Kettering Northamptonshire, NN16 8SD, United Kingdom

REF.	FA 60 003 20   FA 60 003 20S
LG.	20 m
CE	EN 1496:2017 Class A
	x1
	135 KG
MAT.	STEEL Ø 4.8 mm    INOX Ø 4.5 mm
MAT.	STEEL    INOX
	(1) EN 13157 (1) Machinery Directive: 250 KG (1) ATEX Directive:  II2 G Exh IIC T6 Gb
+	(2) Compatible FA 60 001 00, FA 60 002 00 (2) Compatible FA 60 101 00, FA 60 102 00, in combination with FA 60 101 02 (2) Compatible FA 60 022 00, in combination with FA 60 022 06 (2) Compatible FA 60 105 00, FA 60 106 00, in combination with FA 60 105 02
	7.95 KG   7.73 KG



**Nombre d'utilisateurs**  
Number of users  
**Cantidad de usuarios**  
Quantità di utilizzatori  
**Anzahl der Benutzer**



**Charge maxi admissible**  
Max. allowed load  
**Carga máxima admisible**  
Carico massimale ammissibile  
**Zulässige Höchstlast**



**MAT.**  
**Matière câble**  
Material wire rope  
**Material cable**  
Material dei cavo  
**Material Seil**

+



(1)  
**Point fort**  
Key feature  
**Ventaja principal**  
Punti forti  
**Produktvorteil**

(2)  
**À utiliser avec**  
To be used with  
**Para usar con**  
Ad essere utilizzato con  
**Verwendet werden soll mit**

**Matière connecteur**  
Material of connector  
**Material conector**  
Materiale connettore  
**Material Verbindungselement**